

## Lom165\_vPA-H

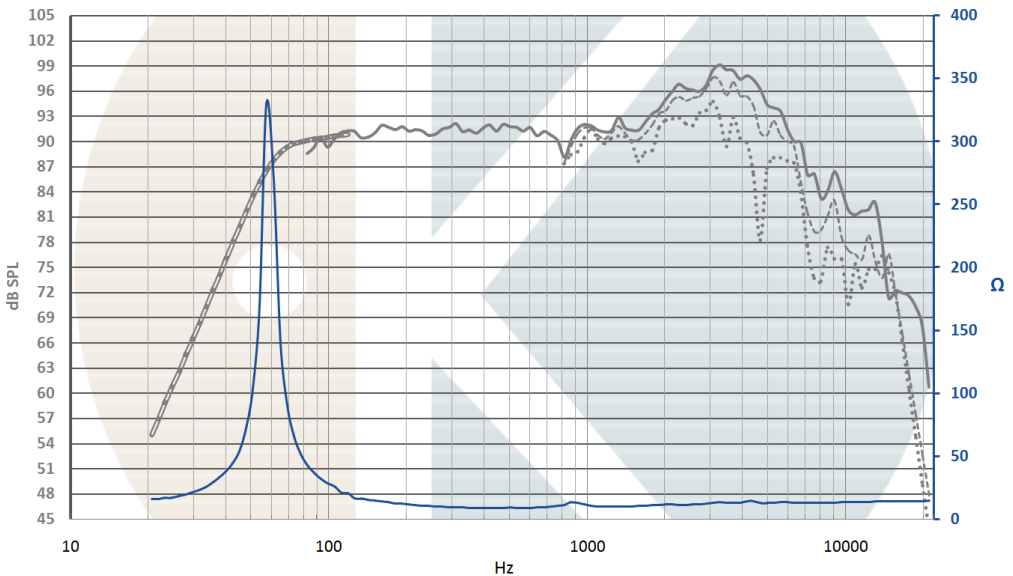
Professional 6" Mid-woofer.



Lom165\_vPA-H is a professional mid-woofer designed to reproduce 60 - 2000Hz (-3dB) with high dynamic range and very low distortion.

Suspensions use dynamik spider and low lost Kompliance surround to reduce significantly the non-linearity.

The motor structure, engineered with FEA, is built with Neodymium and ferrite magnets to produce intense and focused magnetic field.



On IEC baffle / Distance: 1m / Signal input: 2,83V / Dash curves: 30° & 60°  
 Impedance measured in free air / Smoothing: 1/12 Octave  
 Curve below 100Hz is simulated in 10L vented enclosure, Fc = 60Hz

## Lom165\_vPA

Our products can be adapted to your technical requirements and brand spirit.

[www.Kartesian-acoustic.com](http://www.Kartesian-acoustic.com) \_ Phone: +33 6 8035 4115 \_ Rue des Rossignols, 67450 Ostwald, France



## Advanced construction

### Membrane

Carbone fiber cone  
Concave Carbone fiber dust cap

### Suspension

Low lost - NBR surround  
Innovative dynamiK spider

### Voice coil:

Ø36mm, Cu wire  
Polyimide former

### Motor structure:

Dual magnets structure (NdFeB + Fe)  
Demodulated by cooper ring  
15500 Gauss on 5.5mm height  
Optimized and vented pole pieces

### Frame

Injected aluminum, fully vented

## T&S

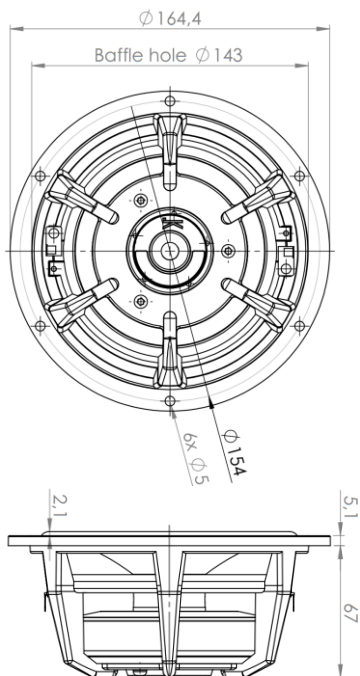
Fs 52Hz  
SPL 92dB/2.8V/1m  
Re 7Ω

Qms 12.2  
Qts 0.261  
Bl 9.8N/A

VAS 17.37L  
Mms 11.2g  
Sd 121cm<sup>2</sup>

Linear excursion: +/-4mm  
Maximal excursion: +/-7mm

Nominal power: 150W  
Maximal power handling: 200W  
*(with high-pass filter at 40Hz - 12dB/Oct.)*



## Integrated innovation



.Kompliance



.dynamiK spider



.foKus field



.Konstant Le(X)

Visit our website to discover our innovation

## Lom165\_vPA

Our products can be adapted to your technical requirements and brand spirit.

[www.kartesian-acoustic.com](http://www.kartesian-acoustic.com) \_ Phone: +33 6 8035 4115 \_ Rue des Rossignols, 67450 Ostwald, France

